

Moonlight Quilters – due June 7

Sunflower Block

12 ½ Unfinished

Fabrics Needed:

White or Cream Yellow or Orange
Medium Brown Dark Brown

Cut the following pieces:

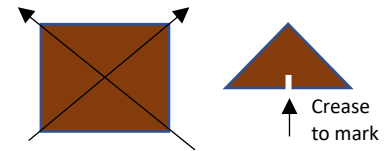
3	4 ¾ inch squares of white or cream	4	3 ¼ inch squares of yellow or orange
1	4 ¾ inch square medium brown	1	2 ½ inch x 19 inch strip of med. brown
1	4 ½ inch squares of dark brown	1	2 ½ inch x 19 inch strip of orange



Side blocks: Sew the medium brown and yellow/orange strips together using a scant ¼ seam. Cut into 4 ½ inch lengths and trim to 4 ½ inch squares. (*check the width*)

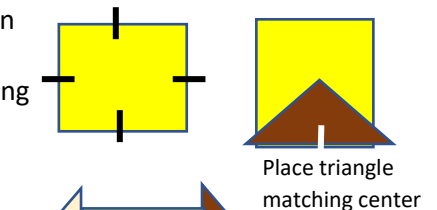


Corner blocks: take the medium brown square and all the 4 ¾ inch white/cream squares and cut them diagonally twice. Fold each of the triangles along the long side and mark halfway with a crease.

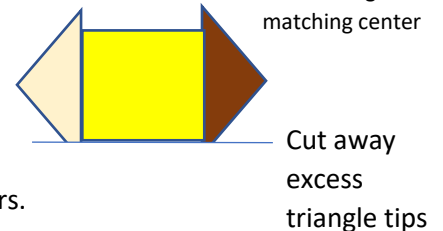


Flower Petals: take the yellow/orange squares, fold in half and crease at the center on both sides. Fold in the opposite direction and mark centers with a crease.

Attach one medium brown triangle to one side of each of the orange squares. Matching both centerlines and sew ¼ inch seam. The triangles are oversized to allow for trimming.



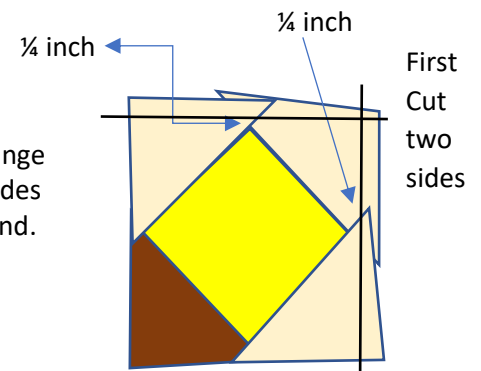
Attach one white/cream triangle to the opposite side from each brown triangle on each of the orange blocks. Press all blocks with the seams pressed toward the center. Trim off excess points from the triangles to make a straight side.



Attach remaining white/cream triangles to the yellow/orange blocks, matching centers. Press seam allowances away from the middle.

Trim blocks to 4 ½ inches.

These blocks are just a bit big all the way around. You need to trim. Use a square ruler with ¼ markings to line up the intersections of yellow/orange and white/cream pieces on two sides. Make sure to leave ¼ inch from yellow/orange fabric to the outside edges on all four sides. Rotate the block and trim other two sides measuring from the trimmed sides and keeping the ¼ inch seam allowance all around. Making block 4 ½ inches.



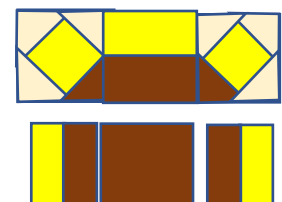
Assemble the block

Row 1 and 3: Assembled as a nine patch. One corner block to a side block making sure that the brown fabrics are touching. Add second corner block, matching brown to brown. Press to the inside. (*the points may touch the center seam or not, don't stress*)

Row 2: attach one side block to center, medium brown towards the dark brown block. Add second side block. Press to the outside.

Sew rows together, brown towards the middle.

Block should measure 12 ½ inches, unfinished.



If you need assistance, please call Donna (707) 217-6322 or Pam (707) 708-1981